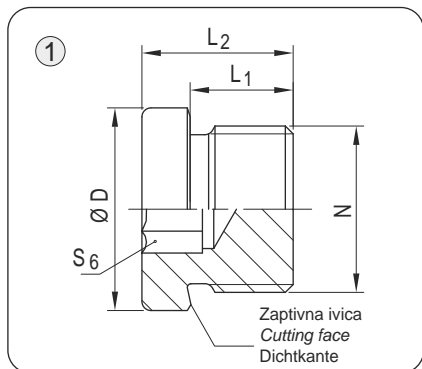
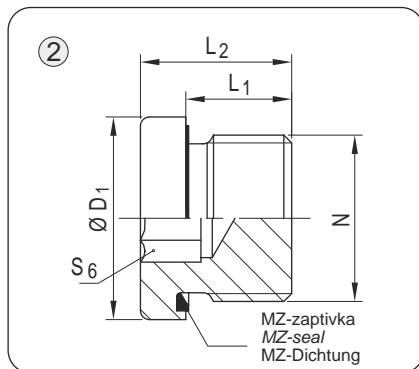


Metri ki uvrtni navoj sa use nom ivicom (ISO 9974)
Male metric thread – metal sealing edge (ISO 9974)
 Metr. Einschraubzapfen – Dichtkante (ISO 9974)



Colovni uvrtni navoj sa use nom ivicom (ISO 1179)
Male BSPP thread – metal sealing edge (ISO 1179)
 Zöll. Einschraubzapfen – Dichtkante (ISO 1179)

Metri ki uvrtni navoj sa MZ-zaptivkom (ISO 9974)
Male metric thread - MZ seal (ISO 9974)
 Metr. Einschraubzapfen - MZ dichtung (ISO 9974)



Colovni uvrtni navoj sa MZ-zaptivkom (ISO 1179)
Male BSPP thread - MZ seal (ISO 1179)
 Zöll. Einschraubzapfen - MZ dichtung (ISO 1179)

PN	N	D	D1	L1	L2	S6	①	kgza/100kom. kgper/100pcs kgper/100St.	②	kgza/100kom. kgper/100pcs kgper/100St.
							Oznaka Part no. Bezeichnung		Oznaka Part no. Bezeichnung	
400	M 10x1	14	14	8	12	5	NZ M10x1	1,0	NZ M10x1-MZ	1,0
	M 12x1,5	17	17	12	17	6	NZ M12x1,5	1,5	NZ M12x1,5-MZ	1,5
	M 14x1,5	19	19	12	17	6	NZ M14x1,5	2,5	NZ M14x1,5-MZ	2,5
	M 16x1,5	21	22	12	17	8	NZ M16x1,5	3,5	NZ M16x1,5-MZ	3,5
	M 18x1,5	23	22	12	17	8	NZ M18x1,5	4,0	NZ M18x1,5-MZ	4,0
	M 20x1,5	25	26	14	19	10	NZ M20x1,5	4,5	NZ M20x1,5-MZ	4,5
	M 22x1,5	27	27	14	19	10	NZ M22x1,5	5,5	NZ M22x1,5-MZ	5,5
	M 26x1,5	31	32	16	21	12	NZ M26x1,5	7,2	NZ M26x1,5-MZ	7,2
	M 27x2	32	32	16	21	12	NZ M27x2	8,5	NZ M27x2 -MZ	8,5
M 33x2	39	40	16	22,5	17	NZ M33x2	11,8	NZ M33x2 -MZ	11,8	
250	M 42x2	50	50	16	22,5	22	NZ M42x2	18,6	NZ M42x2 -MZ	18,6
	M 48x2	55	55	16	22,5	24	NZ M48x2	27,5	NZ M48x2 -MZ	27,5
400	G 1/8	14	14	8	14	5	NZ G 1/8	1,0	NZ G 1/8 -MZ	1,0
	G 1/4	18	19	12	17	6	NZ G 1/4	2,0	NZ G 1/4 -MZ	2,0
	G 3/8	22	22	12	17	8	NZ G 3/8	3,5	NZ G 3/8 -MZ	3,5
	G 1/2	26	27	14	19	10	NZ G 1/2	5,0	NZ G 1/2 -MZ	5,0
	G 3/4	32	32	16	21	12	NZ G 3/4	8,5	NZ G 3/4 -MZ	8,5
	G 1	39	40	16	22,5	17	NZ G 1	13,5	NZ G 1 -MZ	13,5
250	G 1 1/4	49	50	16	22,5	22	NZ G 1 1/4	21,0	NZ G 1 1/4 -MZ	21,0
	G 1 1/2	55	55	16	22,5	24	NZ G 1 1/2	26,0	NZ G 1 1/2 -MZ	26,0